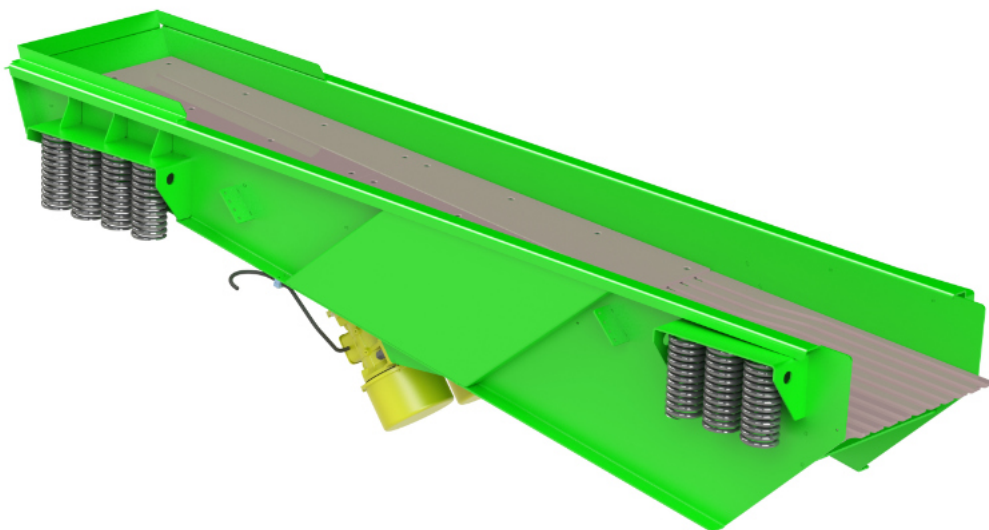




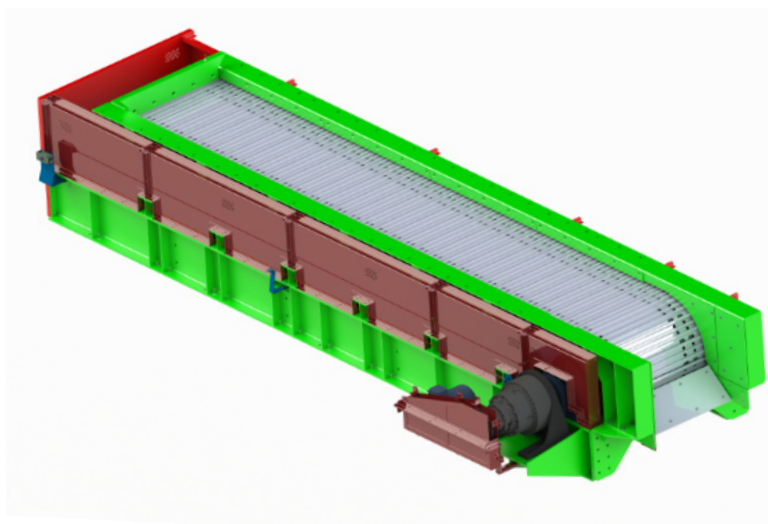
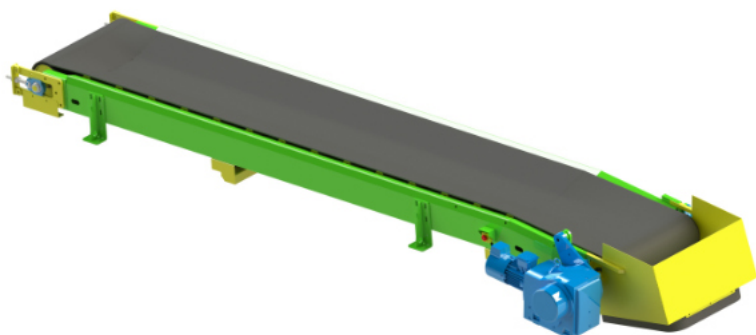
# FEEDERS

## Advantages

- ✓ wide choice of types and designs
- ✓ custom made feeders



Types	vibrating, belt, apron, push
Drives	electric or hydraulic
Type of fed material	construction waste, soil, coal, sand, gravel, aggregate
Width	500 - 1 200 mm
Length	1 000 - 6 000 mm
Output	50 - 400 t/h



RESTA s.r.o.  
CRN: 14616807  
TIN: CZ 14616807

Kojetínská 3120/75  
750 02 Přerov  
Czech Republic

✉ [resta@resta.cz](mailto:resta@resta.cz)  
☎ +420 581 741 811

[www.resta.cz](http://www.resta.cz)